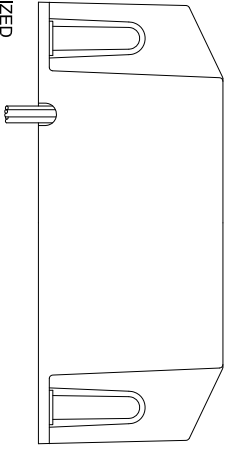
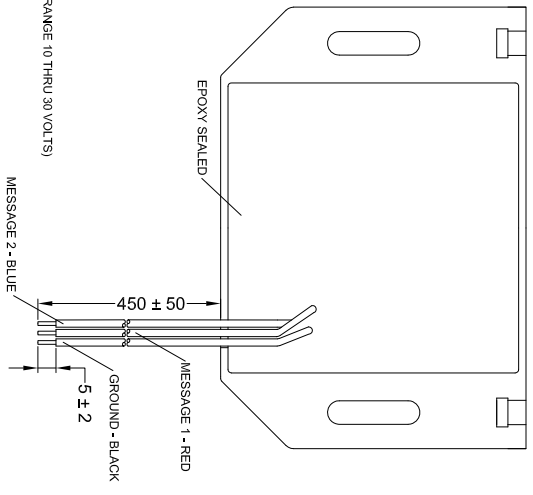
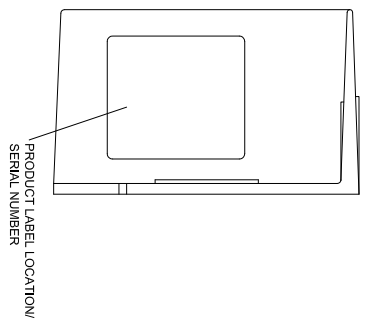
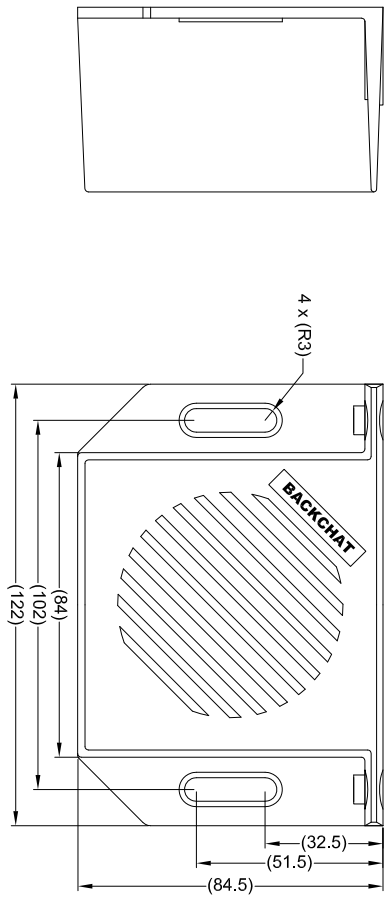
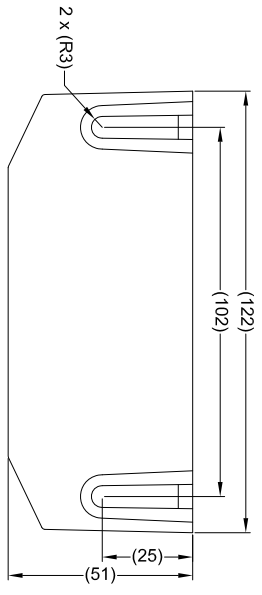


Revision Notes:		
Checked By:	Approved By:	Date Released:



- NOTES:
1. DIMENSIONS IN MM.
 2. MATERIAL: ABS PLASTIC - ULTRA VIOLET STABILIZED
 3. FINISH: BLACK
 4. FOR PRODUCT LABEL REFER TO BE-001396-00-11
 5. 2 X M6 X 25 BOLTS, 2 X M6 FLAT WASHER & 2 X M6 NUTS ARE SUPPLIED IN A PRESS SEAL BAG IN THE BOX.
 6. POWER & MESSAGE CABLES LENGTHS ARE MEASURED FROM CABLE ENTRY POINT ON HOUSING.

SPECIFICATION

RATED VOLTAGE: 12 AND 24 VOLTS DIRECT CURRENT (WORKING VOLTAGE RANGE 10 THRU 30 VOLTS)
 RATED CURRENT: 0.5 AMPERES OR LESS
 SOUND PRESSURE: 90±4 DECIBELS AT TEST VOLTAGE OF 14 AND 28 VOLTS
 CABLE THICKNESS: ALL CABLES 2400,2MM
 MESSAGE(S): 1. "STAND CLEAR VEHICLE REVERSING"
 2. "STAND CLEAR TAIL LIFE IN USE"
 MESSAGE LIBRARY NUMBER(S): 1. M1016D
 2. M1147
 VOICE/AGENT: ALL MESSAGES ARE MALE
 LANGUAGE: ALL MESSAGES ARE ENGLISH

PROPRIETARY NOTICE
 THIS DESIGN AND TECHNICAL INFORMATION APPEARING ON THIS DRAWING IS THE PROPERTY OF BRIGADE ELECTRONICS, AND IS DISCLOSED IN CONFIDENCE. IT IS NOT TO BE COPIED, REPRODUCED, REVEALED TO OR EXPLOITED BY OTHERS, EITHER IN WHOLE OR IN PART WITHOUT THE EXPRESS WRITTEN CONSENT OF BRIGADE ELECTRONICS.



	Assembly Pl Approval		Approved by		Checked by		Drawn by	
	A/HEDDLE		DKERALI		JNEWMAN		MBUTLER	
Angle of Projection	mm	Scale	N/A	22/07/11	BC-02			
Third Angle	Status	RELEASED	BC-02					
	Stock Code	#0082 BE-001409-00-11						